

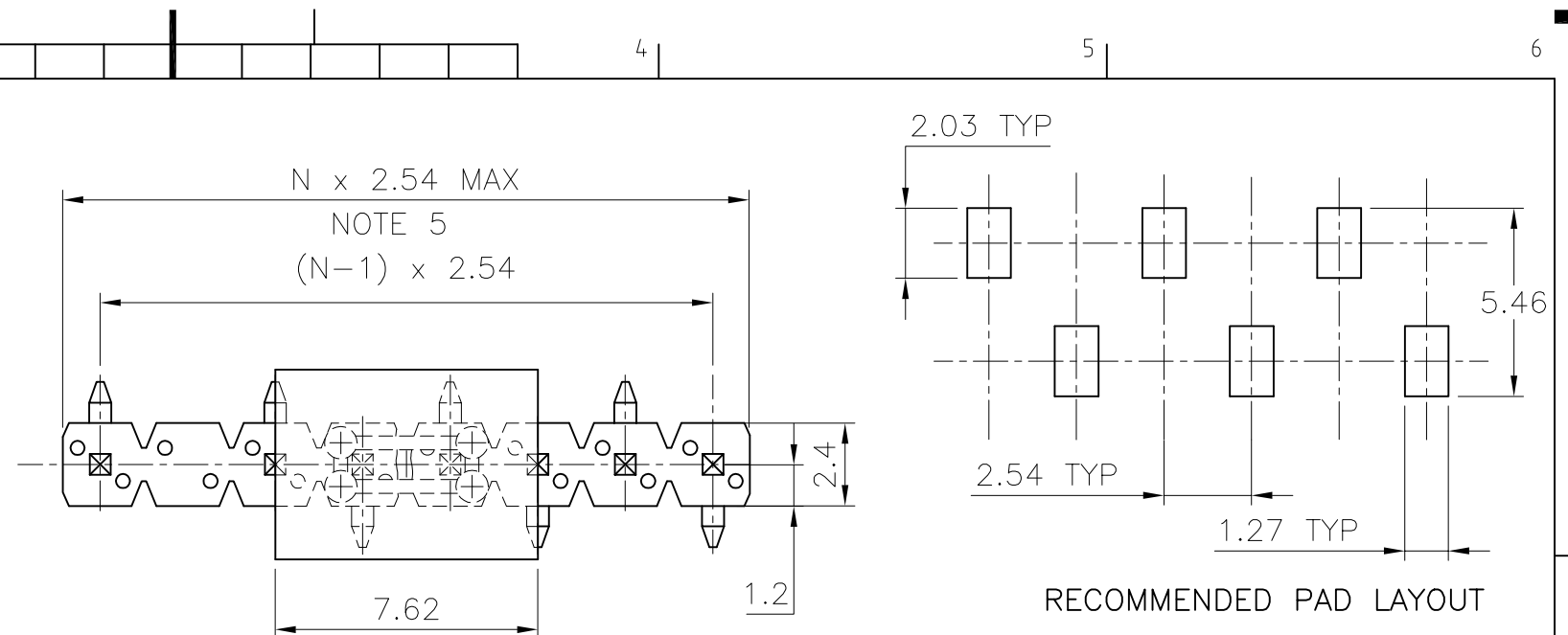
PRODUCT NUMBER  
98400-YXXXLF

WHEN REQUIRED, ADD SUFFIX LETTER "LF"  
INDICATES THE PRODUCT IS RoHS  
COMPATIBLE, SEE NOTE 6  
PACKAGING TYPE, NOTE 3

PLATING

1=0.76µm GOLD/GXT ON CONTACT AREA  
3.81µm TIN-LEAD ON TAIL  
WHEN "LF" IS REQUIRED, 2µm MIN  
MATTE TIN OVER 1.27µm MIN NICKEL  
INSTEAD OF TIN-LEAD

| STYLE | SIZE | MATING | OMIT PIN |
|-------|------|--------|----------|
| 01    | 1x08 | 5.9    | 2        |
| 02    | 1x08 | 5.9    | 5        |



NOTES:

- 1 - HOUSING MAT'L : HIGH TEMPERATURE THERMOPLASTIC. UL94V-0 COLOR: BLACK
- 2 - PIN MATERIAL : PHOSPHOR BRONZE
- 3 - PACKAGING = POLY BAGS  
A = TAPE & REEL + CAP, SEE TA840 FOR PRODUCT AVAILIY
- 4 - 9N MIN RETENTION IN EITHER DIRECTION
- 5 - TO DETERMINE DIMENSIONS :  
N = NUMBER OF POSITIONS  
EXAMPLE : 8 POS N x 2.54 = 20.32mm
6. RoHS COMPATIBLE PRODUCT SPECIFICATIONS

a - PLATING:

- "LF" MEANS THE PRODUCT IS LEAD-FREE, 2µm MINIMUM MATTE TIN OVER 1.27µm MINIMUM NICKEL UNDERPLATE.

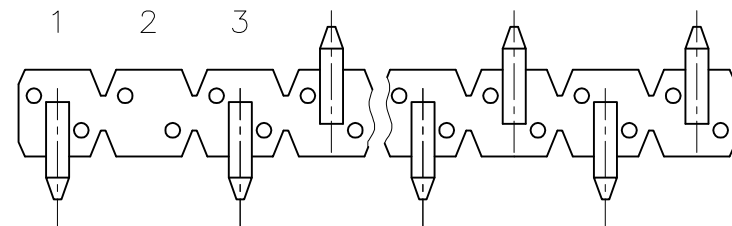
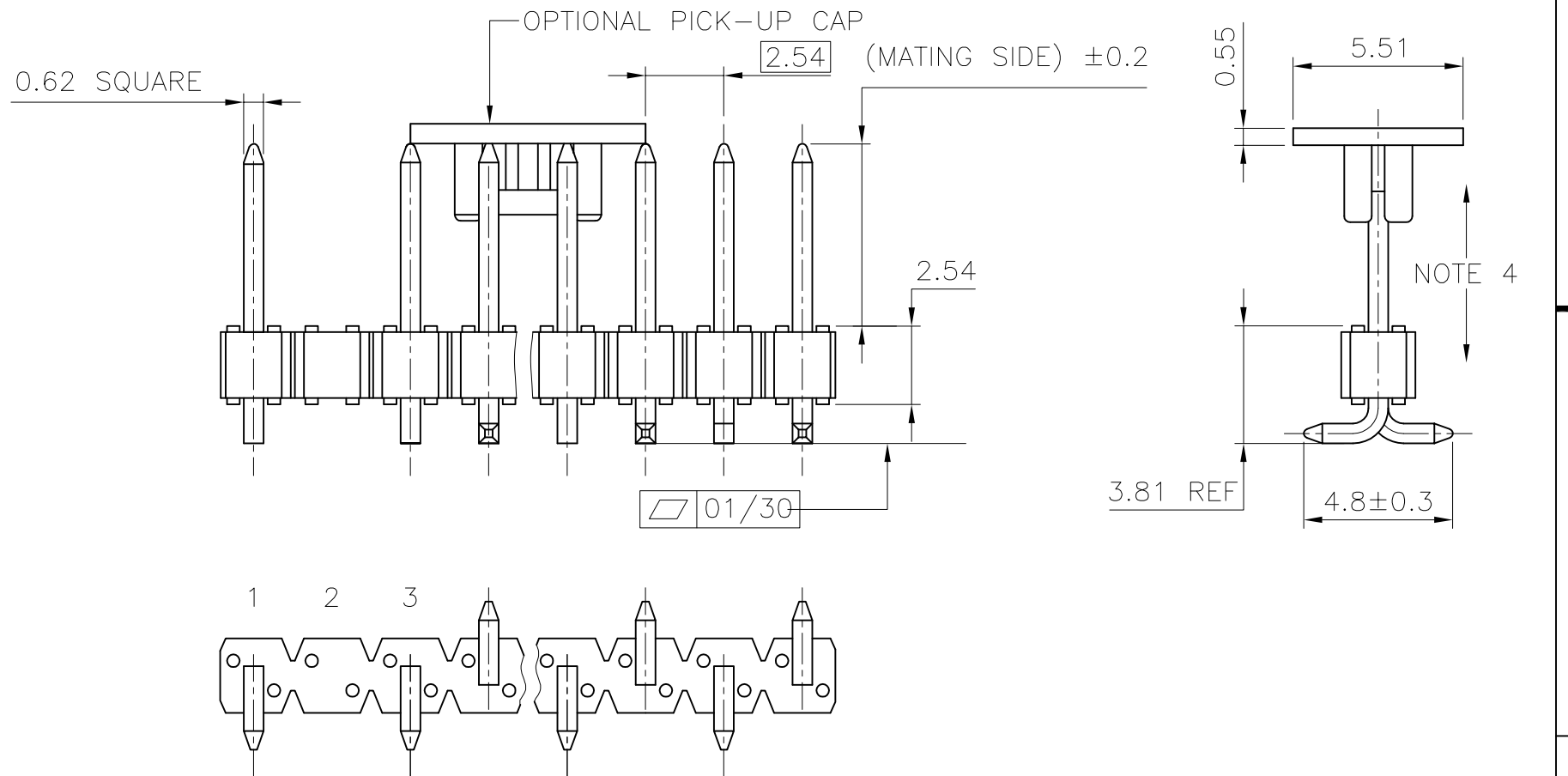
b - MANUFACTURING PROCESS COMPATIBILITY

- THE HOUSING WILL WITHSTAND EXPOSURE TO 260°C PEAK TEMPERATURE FOR 30 SECONDES IN A CONVECTION, INFRA-RED OR VAPOR PHASE REFLOW OVEN.

c - LABELING:

- MEETS PACKAGING SPECS AS PER GS-14-920

d - LEGAL STATEMENT: SEE GS-22-008



|                          |                |     |          |                                       |                               |                  |                                       |
|--------------------------|----------------|-----|----------|---------------------------------------|-------------------------------|------------------|---------------------------------------|
| mat'l. code<br>SEE NOTES |                |     |          | surface<br>ISO 1302                   | tolerance<br>ISO 406 ISO 1101 | projection<br>mm | product family<br>BSTIK HDR           |
| ltr                      | ecn no         | dr  | date     | tolerances unless otherwise specified |                               | mm               | title<br>HEADER SR,<br>SMT, POLARIZED |
| A                        | F90324         | LMU | 99.04.28 | angles                                | linear                        | scale 1:4        | dwg no<br>98400                       |
| B                        | F90352         | LMU | 99.05.28 |                                       |                               |                  | sheet 1 of 1                          |
| C                        | F04-0362       | JCO | 04.12.10 |                                       |                               |                  | size<br>A3                            |
| D                        | F06-0208       | JCO | 06.06.22 | dr                                    | L.MULIN                       | 99.04.28         | type<br>CUSTOMER Drawing              |
| E                        | F08-0148       | RTR | 08.03.31 | enr                                   | JMC                           | 99.04.28         |                                       |
|                          |                |     |          | chr                                   | JMC                           | 99.04.28         |                                       |
|                          |                |     |          | appd                                  | JMC                           | 99.04.28         |                                       |
| sheet index              | revision sheet |     |          |                                       |                               |                  |                                       |

FCJ  
 FCIconnect.com  
 Copyright FCI